



3+

MARKET PLACE



Welcome to Fundough Market Place. In this creative world, you can make so many items out of dough and sell them in the Market Place. You have various fruits, vegetables, bakery items, stalls, customers, shop keepers etc. to set up a vibrant market place.

CONTENTS

- Fruit Mould 1 no.
- Vegetable Mould 1 no.
- Flower Mould 1 no.
- Bakery Mould 1 no.
- Flower stems 3 nos.
- Paper Price tags 4 nos.
- Paper shopkeeper cut-outs 2 nos.
- Paper customer cut-outs 2 nos.
- Paper stall cut-out 1 no.
- Paper umbrella stall cut-out 1 no.
- Plastic straw for umbrella stall 1 no.
- Fundough Extruder 1 no.
- Extruder strip 1 no.
- Fundough knife 1 no.
- Paper boards (for dough items) 3 nos.
- Fundough Tubs (50g each) 4 nos.

SET-UP

1. Take the Paper stall cut-out. Fold and form the stall as shown in figures 1a through 1g.
2. Take the Paper umbrella stall cut-out, fold and form the stall. Place a ball of dough, insert the straw to form the centre pole of the stall. Refer Figure 2.
3. Fold shopkeeper and customer paper cut-outs. Make a small ball of dough and make these folded cut-outs to stand by inserting the tab of the cut-out into the dough ball. Refer Figure 3.

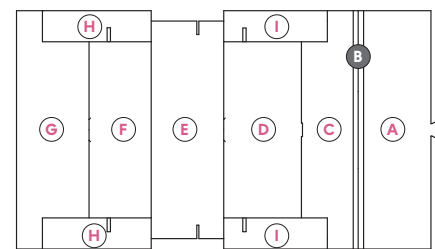


Figure 1a - Board cut-out of Stall

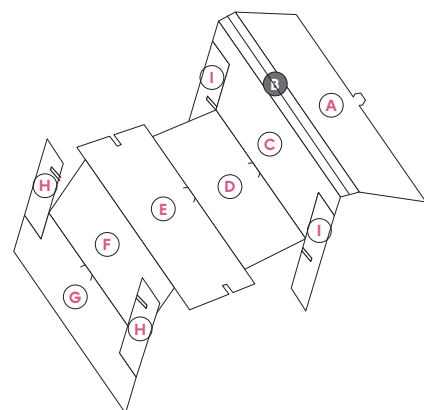


Figure 1b - Basic folding pattern

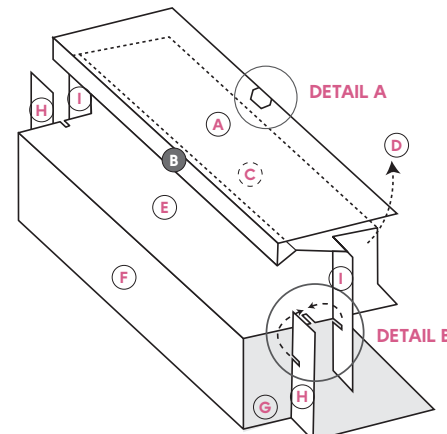


Figure 1c - Final folding and Assembly detail "A" and detail "B"

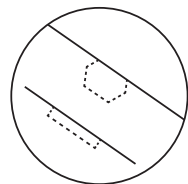


Figure 1d - Assembly Detail "A"
Press tab into slot to lock

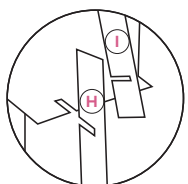


Figure 1e - Assembly Detail "B"
Interlock (H) and (I) in the same slot.

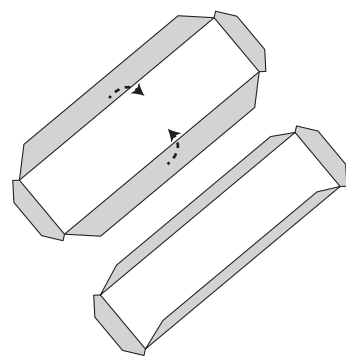


Figure 1f - Stiffner Forming

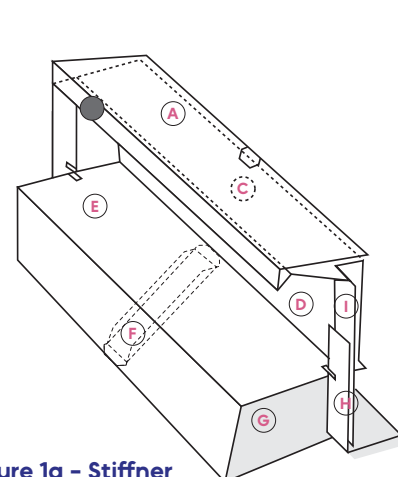


Figure 1g - Stiffner assembly onto the stall

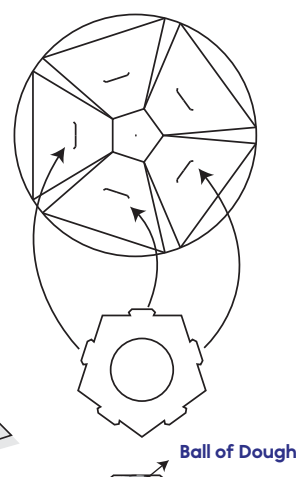


Figure 2 - Formation of the umbrella stall

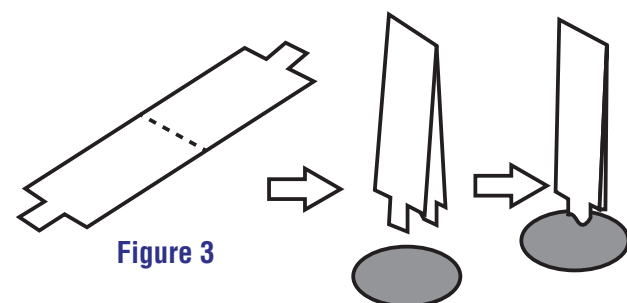


Figure 3

LET'S PLAY

MOULDING: We can make various fruits, vegetables, bakery products and flowers out of dough using the respective moulds provided with the set. To make any of the above, take dough of any colour and press the dough in the respective moulds. Fill the mould till the brim and take off any excess dough. To mould 3D forms, we need to press the dough in both the halves of the mould and fold and press the two mould halves together to get the shape. To take the dough out, make another small ball of dough and stick it on top of dough pressed in the moulds. Slowly lift up the moulded dough. Using the dough knife shape the final forms.



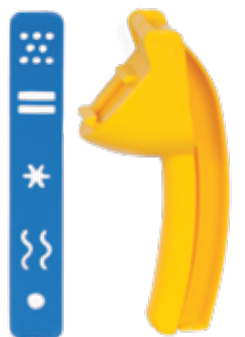
Figure 5.

FLOWER STALL: Install the stem of the flowers to the holes in the base as shown in Figure 5. Place the moulded flowers on the stems.

FRUIT/VEGETABLE/BAKERY STALL: Mould various fruits, vegetables and bakery items. Put them on the flat paper boards and place them on the stall and price them using the paper price tags accordingly.

EXTRUDING: Now, have fun making some more items. Take a ball of dough and put into the extruder. Align the extrusion strip to the desired shape. Force the dough out of the extrusion strip by firmly pushing down the extruder handle. Make various shapes for decorating fruits, dough crates, stall roof tiles, ropes etc. What more can you ask for?

EXTRA: Have some more fun like imprinting various shapes using the dough (like leaves) with the imprints provided on flower mould.



YOUR MARKET PLACE IS READY!

Once finished, you can clean and store your items neatly in the box provided. It's so easy.